

NOBLELIFT

Material Handling

PS35/40TSL

3500/4000 lbs

STRADDLE-LEG WALKIE ELECTRIC STACKER



-  Long-tiller Design
-  Capacity 3500/4000lbs
-  Easy Maintenance
-  High Performance
-  Powerful Battery
-  Robust Design
-  Full Proportional Lift
-  CAN-BUS Technology

NEW / *Noblelift Products*
ARRIVAL

Noblelift North America Corp.

www.nobleliftna.com



Straddle leg

Adjustable straddle leg design, suitable for diverse pallet sizes and more stability.



Easy Assembly

Multi position straddle allows for easy assembly, multiple pallet widths and excellent stability.



For every application the right battery capacity

The right battery:
PS 35/40TSL 24 volt 270 AH battery standard.



Maintenance friendly

The trucks design and component placement allow for easy service and maintenance. Two screws are used to hold cover in place allowing fast and easy access to all components. Drive wheel and caster can be removed and replaced without use of additional lifting devices.



Built in USB-connector

USB-connector for charging of additional devices during warehouse operations.

CAN-BUS

CANBUS technology

Can-Bus technology allows for fewer wires and increased dependability. Can-Bus technology slows for easier adjustments and troubleshooting reducing downtime. New digital display outperforms analog.



ZAPI Controller

ZAPI Controller and Battery Indicator with hour meter as well as fault code display for easy maintenance.



Electronic proportional lifting and lowering

The electronically controlled proportional lifting system ensures accurate positioning and stacking operations at every lifting height.

Proportional lifting increases productivity especially at higher lift heights.

Long tiller design for ergonomics and safety

Long tiller design keeps operator at a safe distance while providing an ergonomic hand position.

Reduced force to the operator allows for easy and ergonomic control of the operation of the truck.

Handle operating heights are varied allowing for comfortable and efficient use of multiple operators.



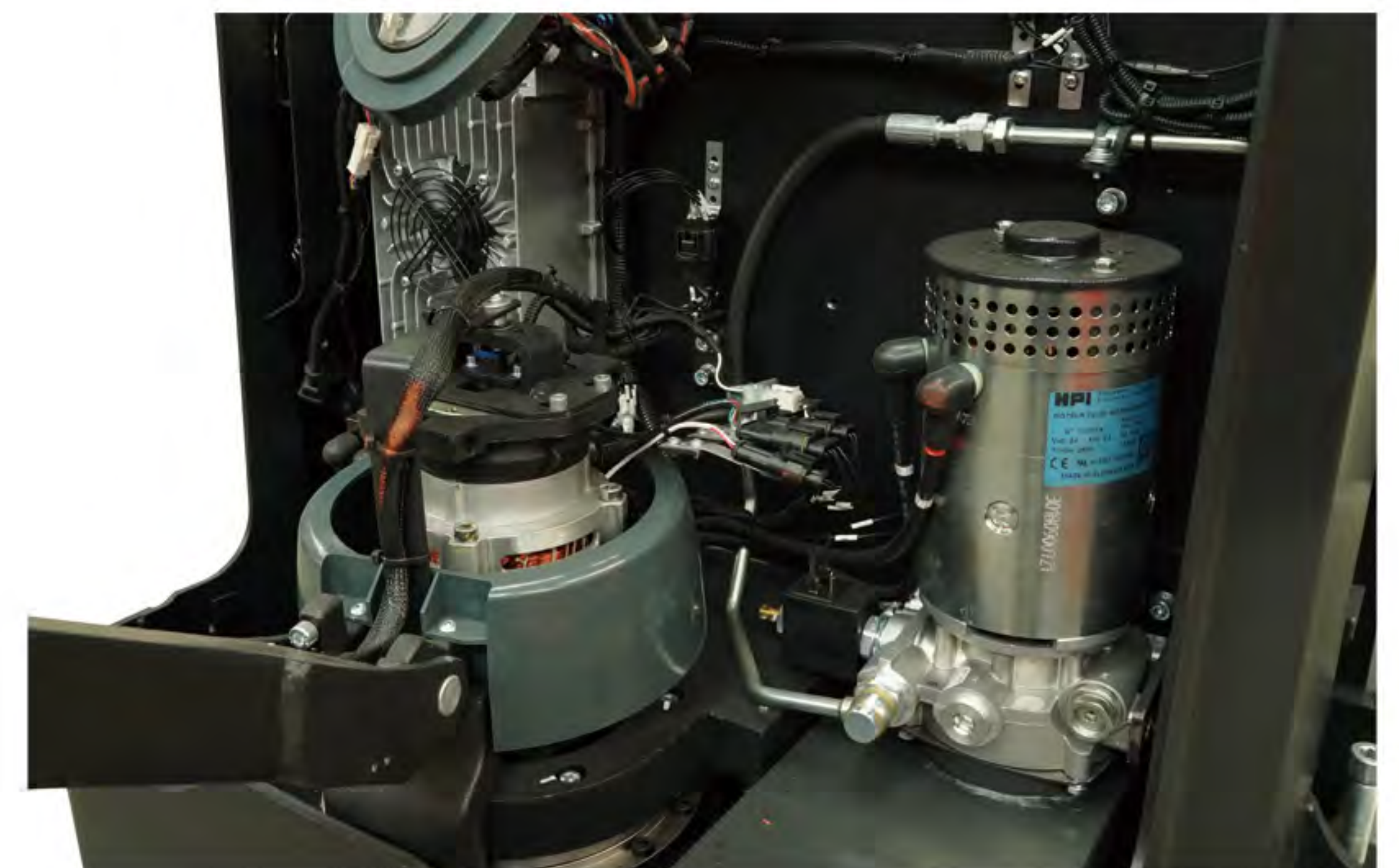
Mesh protection

Mesh protection for safety as well as great visibility during operation. Strong design with no reflection or scratches from Plexiglass.



Easy maintenance

Easy maintenance or replacement of the drive wheel after long term use.



Robust and Reliable Design

The robust chassis with the strong 0.3in thick apron protects the truck and the components against mechanical impacts from the outside.

In combination with the metal battery cover, the truck is well-equipped to keep damages to a minimum.

Dirty floor environments have less influence to the vertical AC motor design as the components and the brake are out of the reach of direct impacts.

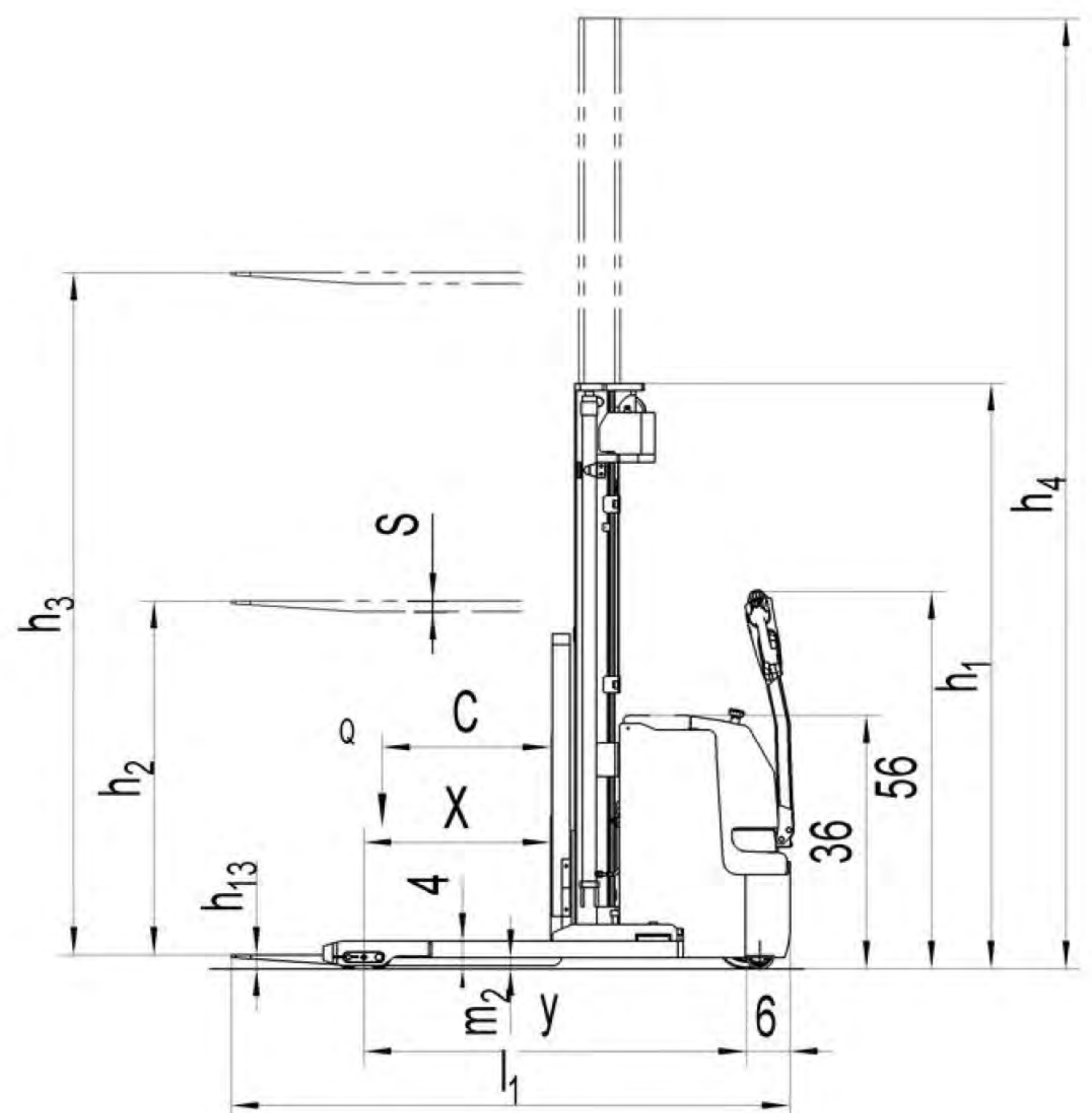
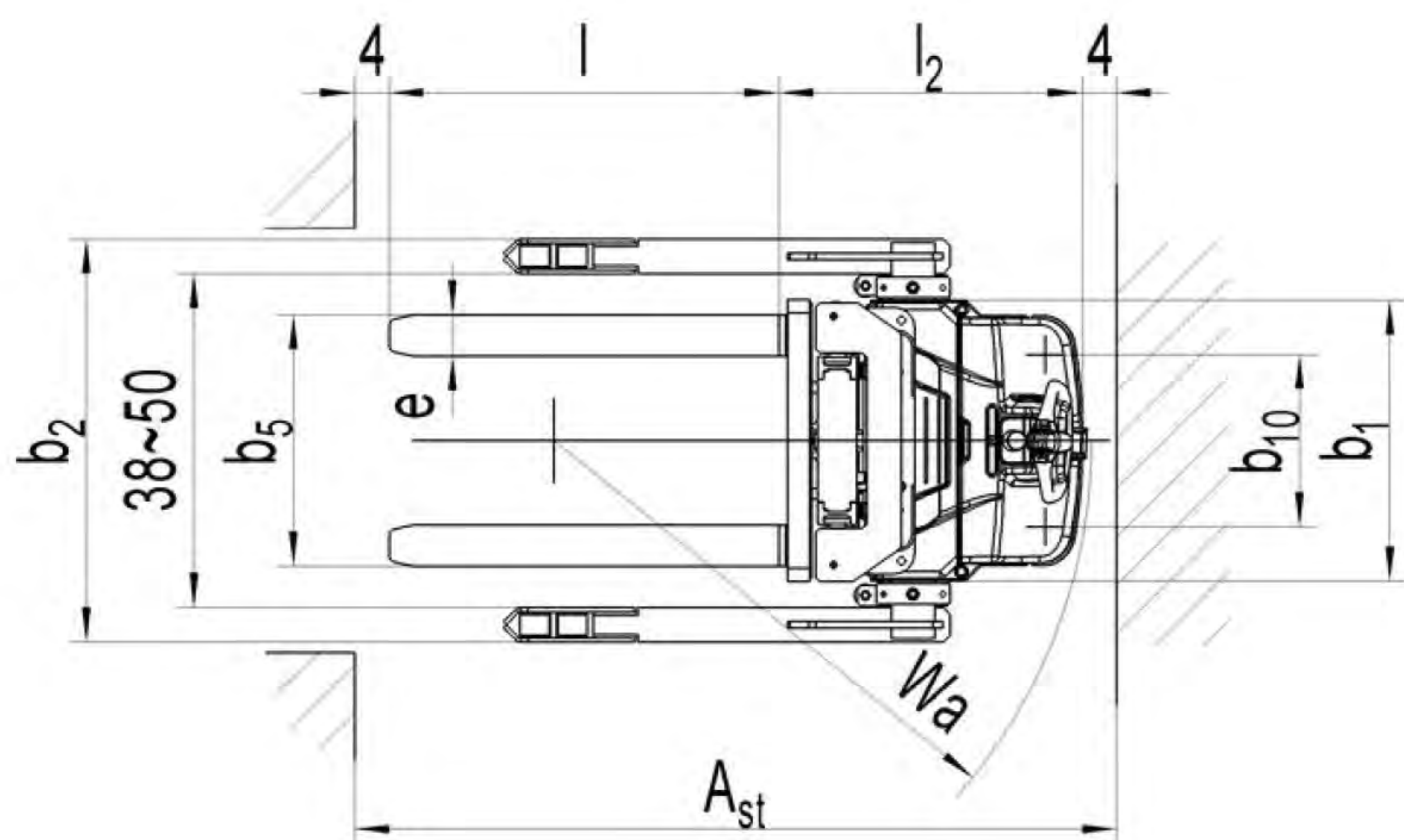
IP54 protected controller, safe from dust or rain.

ZF drive technology

The powerful Schabmuller maintenance free AC Drive motor in combination with the ZF gearbox, Intorq brake and Rader Vogle drive wheel gives best performance, efficiency and reliability to reduce operating costs!

Whether smooth or fast acceleration is applied, the AC Drive always gives the right and direct response.

Designation	Lowered mast height h_1 (in)	Free Lift height h_2 (in)	Lift height h_3 (in)	Extended mast height h_4 (in)	Lift+fork height h_3+h_{13} (in)
PS35TSL					
Two stage mast	77	/	111	133	113
	83	/	123	145	125
	91	/	139	161	141
Two stage mast FFL (Full-Free-Lift)	77	55.5	111	133	113
	83	61.4	123	145	125
	91	69.3	139	161	141
Three stage mast	79	/	167	188	169
	83	/	178	200	180
Three stage mast FFL (Full-Free-Lift)	75	52	155	176	157
	79	55.9	167	188	169
	83	59.8	178	200	180
PS40TSL					
Two stage mast	82	/	111	138	113
	88	/	123	150	125
	96	/	139	165	141
Two stage mast FFL (Full-Free-Lift)	78	51.6	104	130	106
	82	55.5	111	138	113
	88	61.4	123	150	125
	96	69.3	139	165	141
Three stage mast	84	/	167	193	169
	88	/	178	205	180
Three stage mast FFL (Full-Free-Lift)	78	51.6	155	181	157
	84	55.9	167	193	169
	88	59.8	178	205	180



Type sheet for industrial truck acc. to VDI 2198

Distinguishing mark				
1.2	Manufacturer`s type designation		PS35TSL(181)	PS40TSL(181)
1.3	Power (battery ,diesel, petrol, gas, manual)		Battery	
1.4	Operator type		pedestrian	
1.5	Load Capacity / rated load	Q(lbs)	3500	4000
1.6	Load centre distance	C(in)	23.6 ¹⁾	23.6 ¹⁾
1.8	Load distance ,centre of drive axle to fork	x(in)	26.1 ²⁾	25.5 ²⁾
1.9	Wheelbase	y(in)	54.3	54.3
Weight				
2.1	Service weight	lbs	3262.8	3439.2
2.2	Axle loading, laden front/rea	lbs	1823.2/4967	1966.5/5242.6
2.3	Axle loading, unladen front/rear	lbs	1904.8/1358	2037/1402
Tires, chassis				
3.1	Tires		Polyurethane (PU)	
3.2	Tire size, front	φxW (in)	φ 9×2.8	
3.3	Tire size, rear	φxW (in)	φ 3.3×2.8	
3.4	Additional wheels(dimensions)	φxW (in)	φ 4x1.6	
3.5	Wheels, number front/rear(x=driven wheels)		1x+2/4	
3.6	Track, front	b ₁₀ (in)	19.7	
Dimensions				
4.2	Lowered mast height	h ₁ (in)	83	87.7
4.3	Free Lift height	h ₂ (in)	60	60
4.4	Lift height	h ₃ (in)	178.3	178.3
4.5	Extended mast height	h ₄ (in)	200.3	205
4.9	Height of tiller in drive position min./ max.	h ₁₄ (in)	35/56	
4.15	Height, lowered	h ₁₃ (in)		2
4.19	Overall length	l ₁ (in)	82	82.4
4.20	Length to face of forks	l ₂ (in)	36.4	37
4.21	Overall width	b ₁ /b ₂ (in)	32.1/46-58	
4.22	Fork dimensions	s/e/l(in)	1.6x4.7x45.3	1.6x4.7x45.3
4.25	Distance between fork-arms	b ₅ (in)	10-28.7	10-28.7
4.32	Ground clearance, centre of wheelbase	m ₂ (in)	1.6	
4.33	Aisle width for pallets 1000X1200 crossways	Ast(in)	96	96.3
4.34	Aisle width for pallets 800X1200 lengthways	Ast(in)	95.2	95.7
4.35	Turning radius	Wa(in)	61	61
Performance				
5.1	Travel speed, laden/ unladen	mph	3.5/3.7	3.4/3.7
5.2	Lift speed, laden/ unladen	fpm	25.59/35.43	25.59/35.43
5.3	Lowering speed, laden/ unladen	fpm	39.37/27.56	39.37/27.56
5.8	Max. gradeability, laden/ unladen	%	6/12	6/10
5.10	Service brake		Electromagnetic	
Electric-engine				
6.1	Drive motor rating S2 60min	HP	1.88	1.88
6.2	Lift motor rating at S3 10%	HP	4.29	4.29
6.3	Battery acc. to DIN 43531/35/36 A, B, C, no		3VBS	3VBS
6.4	Battery voltage, nominal capacity K5	V/Ah	24/270	24/270
6.5	Battery weight	lbs	507	507
6.6	Energy consumption acc: to VDI cycle	kWh/h	1.59	1.70
Additional data				
8.1	Type of drive control		AC- speed control	
8.4	Sound level at driver`s ear acc. to EN 12053	dB(A)	< 70	

Note: 1) with side shift, load centre distance is 19.7 inch 2) with side shift, load distance is 2.2 inch shorter

PS 35/40TSL

**Straddle-leg Electric Pedestrian Stacker
with capacities of 3500/4000lbs**

ADVANTAGES

- The PS35/40TSL is tailored to most pedestrian controlled stacking operations with capacities from 3500lbs up to 4000lbs.
- Ergonomic tiller allows for efficient and safe operation.
- Proportional lifting allows for efficient and safe lifting of any product at any lift speed.
- By using high quality, state of the art components, this stacker will out perform and last longer than comparable stackers on the market today.
- 3 Wheel Structure for Great Stability and Traction.



AUTHORIZED DEALER

Noblelift North America Corp

Add: 2461 S Wolf Road, Des Plaines, IL 60018

Tel: 847-595-7100

Fax: 847-595-7200

Email: sales@nobleliftna.com

Http: www.nobleliftna.com