

Fully powered Logiflex Mini – light, flexible and safe!

Logiflex Mini is a light and maneuverable fully powered stacker – your best choice for the light handling in minor storage and shopping areas.

The design puts focus on the safety and ergonomic working conditions of the user. Logiflex Mini can be adjusted to the individual user, and the ergonomic correct handle ensures the user a relaxed hold. The low overall height gives optimum view conditions.

No damage to surroundings, pallets and goods – Logiflex has an elegant design with rounded corners.

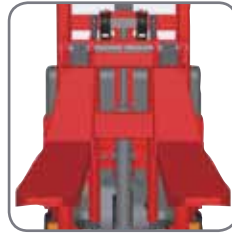
High quality is ensured through an extended test program and in cooperation with experts in Health and Safety.



Technical Specifications

Logiflex Mini gives the user

- easy setting of e.g. driving speed and acceleration
- compact construction
 - perfect in confined areas
- easy service
 - easy access to batteries
- low overall height – optimum view
- long operation time per charge
- possibility to operate with the handle upright



Adjustable carriage is standard.



Hour counter, battery indicator and error finding in the same instrument. Motor brake.



Available with optional extras, e.g. crane arm, drum turner, boom, remote control and level control.

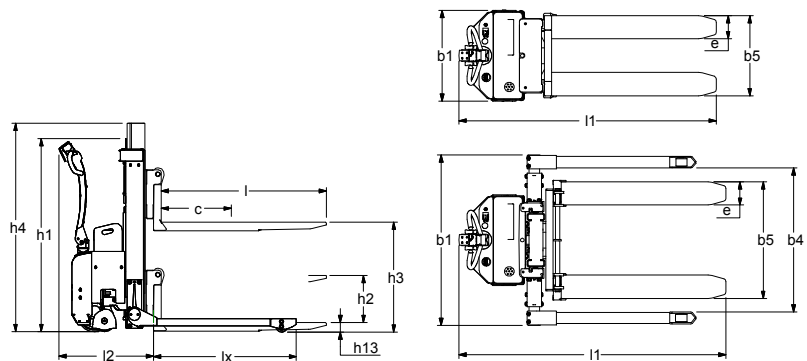
Product (measured in inch)	SELF MINI	SELF MINI	SELFS MINI	SELFS MINI
Capacity in lbs.	2200	2200	2200	2200
Lifting height with wrap-over forks h_3	36	65	35	63.75
Fork length l	42, 45		23.5/31.5/42/45/60*	
Overall height h_1	52	53	52	53
Overall width b_1	25, 28		6.5+ b_4	
Fork span b_5	Wrap-over: 13.25-22		Wrap-over: 13.25/31.5, chisel: 10.65/27, bar: 9/27	
Length without forks l_2	24	24.75	24	24.75
Overall length with 45 forks l_1	71.85	72.25	71.85	72.25
Overall height h_4	52	79.75	52	78.5
Lowered height, forks h_{13}	3.5 (fork span 22) 6 (fork span 13.25-21.75)		Wrap-over: 2.5, chisel: 1.75, bar: 2.5	
Load centre c	$l/2$			
Width between legs b_4	33.5-37, 37-44.25, 44.25-51.5, 49-56**			
Fork width e	6.5			
Run-in length l_x	43 with 45" forks		42.5 with 45" forks	
Gangway (w/pallet: 47 x 31.5) A_{st}	86.5 - tests show that 67" are enough - depends on b_4			
Free lift h_2		13		13
Turning angle of the wheels	210°			
Motor	0,7 kW 24 V speed control electronically variable			
Driving speed with/without load	Below 19.5" lift: 5,2/5,5 km/h, over 19.5" lift: 3/4 km/h			
Pump motor	1,2 kW 24 V			
Lifting speed with/without load	2.75"/4.75" per sec.			
Lowering speed with/without load	4.75"/2.75" per sec.			
Weight in lbs (without battery)	679	799	766	887

* Reduced capacity 1650 lbs.

** Width between straddle legs of more than 51.5": Max. capacity 1760 lbs. Fork length of 60" is not recommended.



For intensive use, we recommend SELF Maxi or SELFS Maxi.



We also offer tailor-made solutions.

Please ask for further information or visit our website www.interthor.com